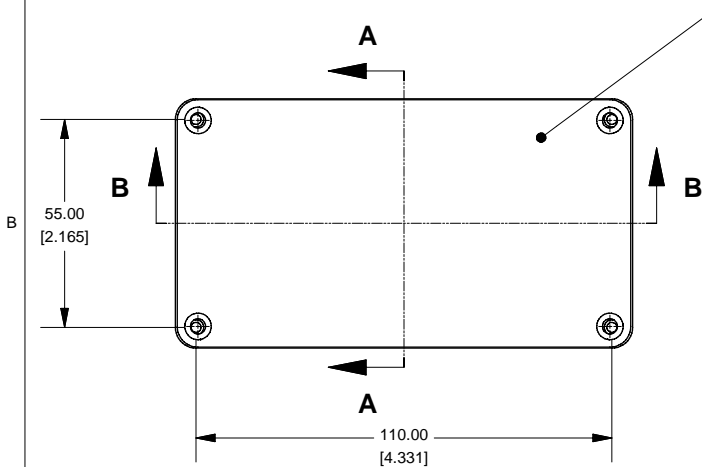
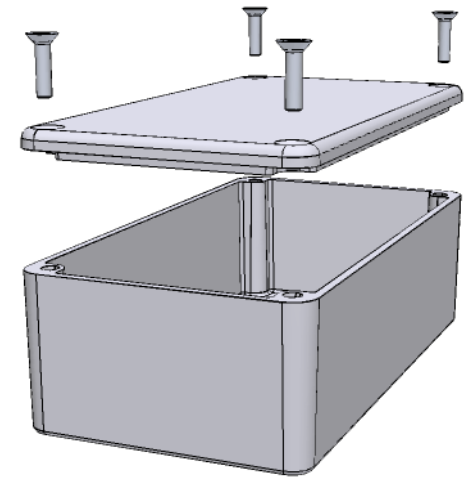
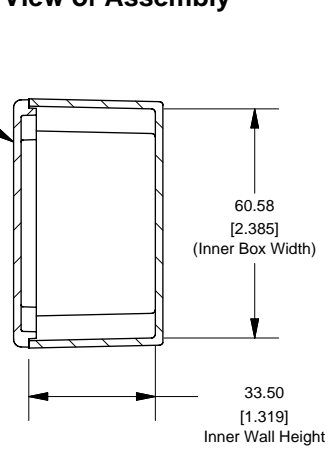


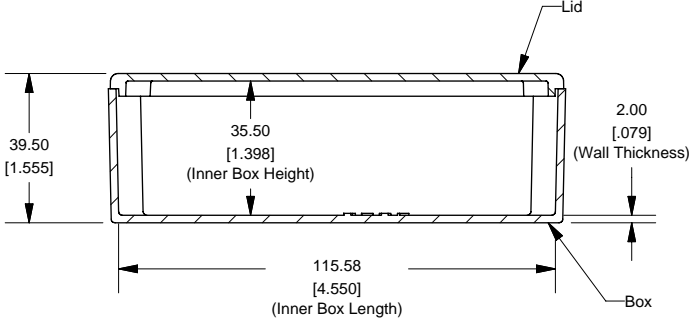
### Top View of Assembly



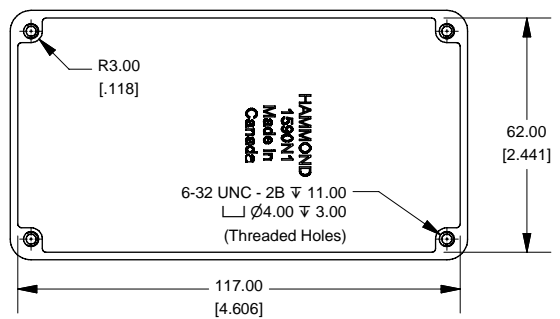
### SECTION A-A End View of Assembly



### SECTION B-B Side View of Assembly

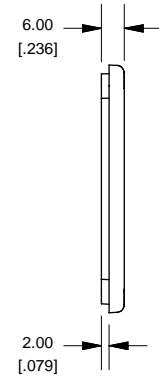
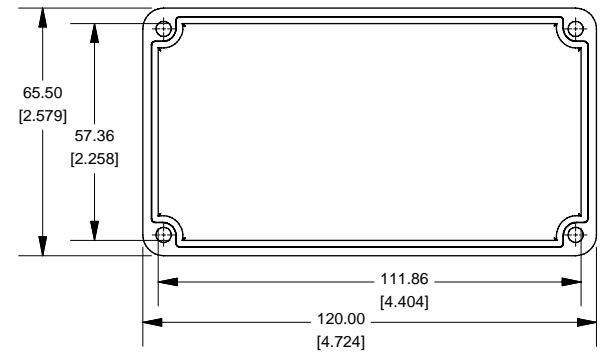


### Top View Looking Inside Box



Enclosures can be Factory Modified ( Milling, Drilling, Printing etc.)  
Contact Factory [mjm@hammondmfg.com](mailto:mjm@hammondmfg.com) for quotes  
Solid models of this enclosure available in STEP or IGES.

### Lid



NOTE	
Purchased assembly includes box, lid and 4 cover screws. Box and lid are made from Diecast Aluminum Alloy (alloy type 380). Silicone Gasket Loctite #5950	
PART NUMBERS	
1590N1 Enclosure	
Unfinished	1590N1
Grey Textured Polyester Powder Paint - RAL 7038	1590N1GY
Black Textured Polyester Powder Paint - RAL 9011	1590N1BK
1590N1 Liquid Resistant Enclosure (Silicon Factory Installed Gasket)	
Unfinished	1590WN1
Black Textured Powder Paint	1590WN1BK
ACCESSORIES	
Recommended Torque: 75 ozf.in / 55 cN.m	
Black Textured Cover Screws (Pkg 50) [6-32 x 1/2" SS Type 304]	1590WMS100BK
Unfinished Cover Screws (Pkg 100) [6-32 x 1/2" Nickel Plated Screws]	1590WMS100
Standard Cover Screws	
Unfinished Cover Screws (Pkg 100) [6-32 x 1/2" Nickel Plated Screws]	1590MS100
Black Textured Cover Screws (Pkg 50) [6-32 x 1/2" SS Type 304]	1590MS100BK

**HAMMOND  
MANUFACTURING™**

1590N1  
[www.hammondmfg.com](http://www.hammondmfg.com)